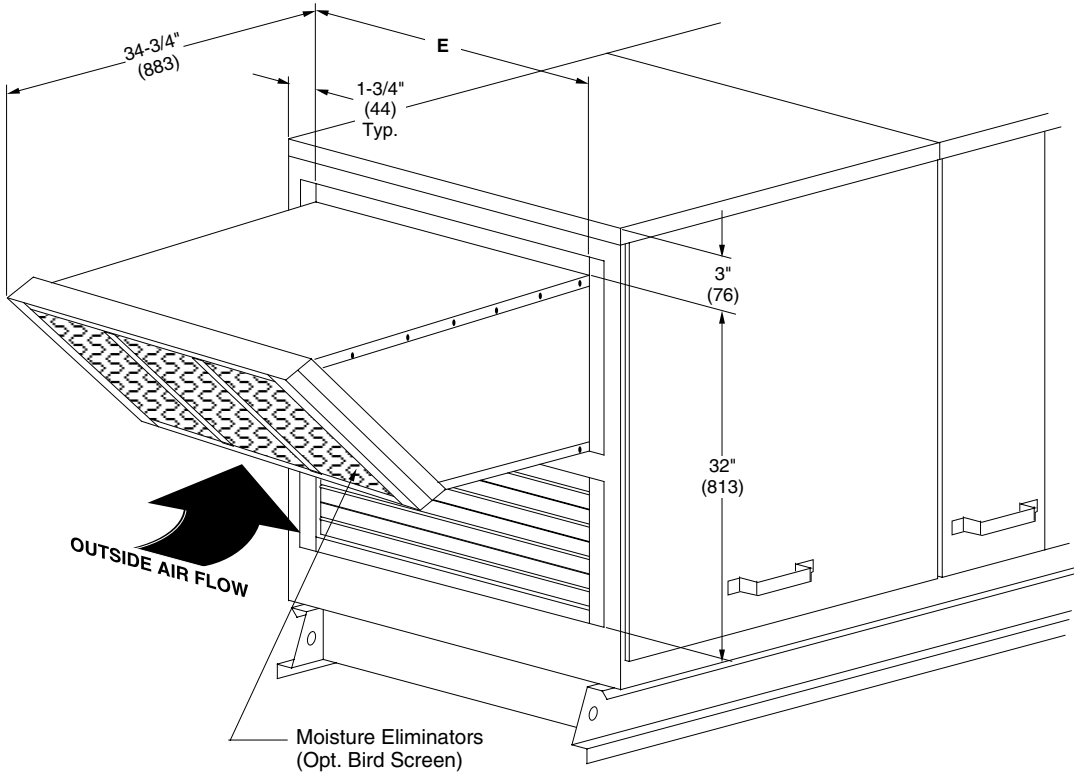
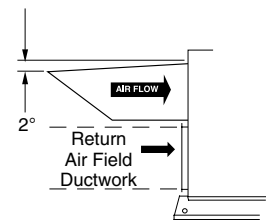


ENGINEERED PRODUCTS

Accessory [AS] - A2 Horizontal Return with Outside Air Hood



MODEL	E Dim.
10/15	29-3/8" (746)
20/25/50	40-3/8" (1025)
30/35 60/70	51-3/8" (1305)
40/80/12	56-7/8" (1445)



D4320A



260 NORTH ELM ST. WESTFIELD, MA 01085
(413) 564-5540 • FAX: (413) 562-5311

www.sterlinghvac.com  A MESTEK COMPANY

Project: _____

Unit Tag: _____